



TIGRES
Dr. Gerstenberg GmbH

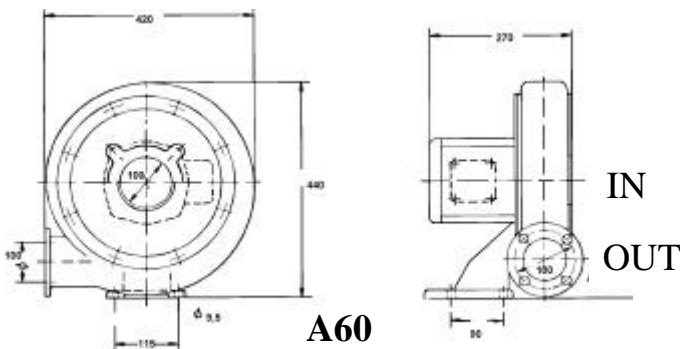
Ozone Blower



Blower A20



Blower A60



Highlights:

- Low noise generation
- Low maintenance
- Long life at low running cost
- Including flexible tube 2,5 m
- Including cable 2,5 m
- Controlled and supplied by TIGRES corona power supply

Technical information:

- Proved medium-pressure radial-blower
- Solid cast aluminium housing
- Running wheel made of cast aluminium
- Stainless steel shaft
- Ozone proof bearing
- Special ozone proof sealing of all nuts

Different models:

- A20: up to 2 kW corona power
- A60: up to 6 kW corona power
- A120: up to 12 kW corona power

Requirements for the exhaust gas pipes:

Please pay attention to following hints, since ozone is corrosive to many materials:

Use:

stainless steel (V2A), aluminium, PVC

Do not use:

steel, galvanized steel

Proved for this application are PVC-tubes, as used for waster water pipes, in combination with PVC-coated flexible coil-tubes.

The longer the pipe, the bigger the diameter:

outlet: \varnothing never smaller than 75 mm;
up to 5 m pipe length: \varnothing 75 mm;
up to 10 m pipe length: \varnothing 100 mm.

Do not vent corona exhaust gases into ventilation shaft (in most cases made of galvanized steel).